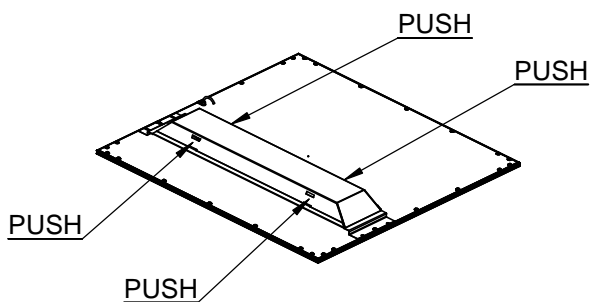


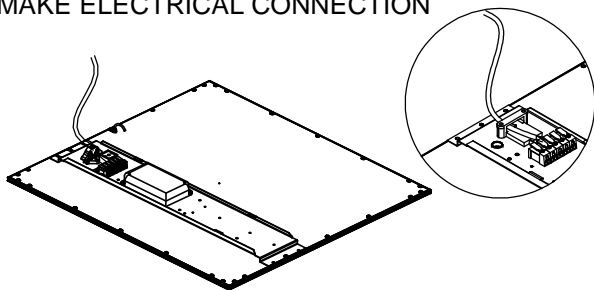
Mounting Instruction

LEDUSED IV INDBYG / RECESSED

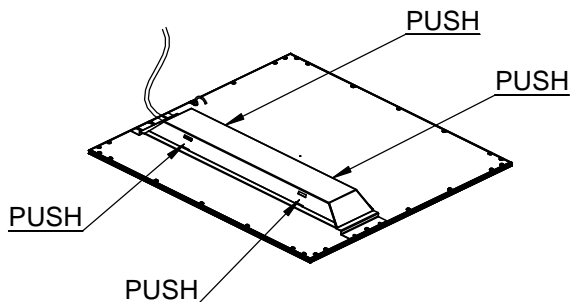
- 1.) DK - AFMONTER DÆKSEL PÅ SPOLEKASSE
GB - REMOVE COVER FROM GEARTRAY



- 2.) DK - LAV EL TILSLUTNING
GB - MAKE ELECTRICAL CONNECTION

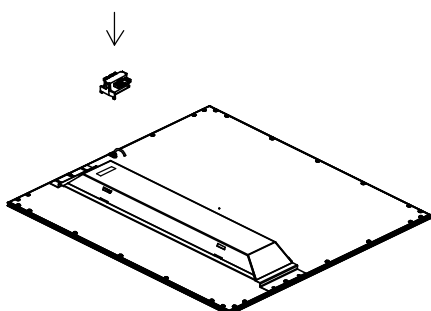


- 3.) DK - MONTER DÆKSEL PÅ SPOLEKASSE
GB - MOUNT COVER ON GEARTRAY



- 4.) LINECT VERSION:

- DK - TILSLUT MED LINECT STIK
GB - MAKE ELECTRICAL CONNECTION WITH
LINECT PLUG



Bemærk:

- Servicing af LED enhed og LED driver, må kun udføres af en kvalificeret person.
- Sikre dig at armaturet er i spændingsløs tilstand, før LED enhed åbnes eller ved udførelse af service.
- " ESD følsom elektronik " undgå alt unødvendig berøring af LED paneler og LED drivere.
- Optiske linser, andre former for optik og gitter, skal altid være monteret når armaturet er i drift.
- Armaturer med DALI driver, skal være tilsluttet en god og aktiv jordforbindelse.

Attention:

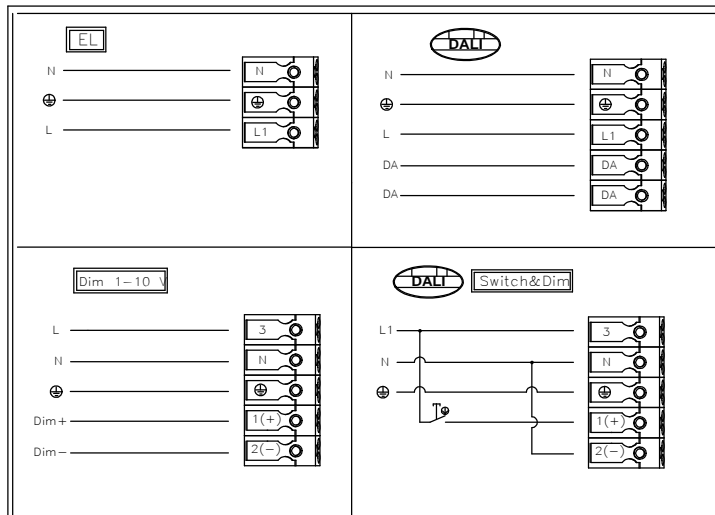
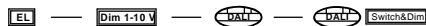
- Servicing of LED geartray and LED driver, may only be performed by a qualified person.
- Always power of luminaire before opening LED geartray or performing service.
- " ESD sensitive components " avoid unnecessary touching LED boards and LED drivers.
- Optical lenses, other forms of optics and grids, must always be mounted when luminaire is in operation.
- Luminaire with DALI driver must have an active ground/earth connection.

(Ved en eventuel frakobling af kabelforbindelsen mellem LEDpanelet og LEDdriver enheden)

- Når LEDpanelet forbindes igen, kan det kræve at man slukker/tænder på 230V fasen før det lyser igen.

(If the cable-connection between the LEDpanel and LEDdriver unit (Geartray) is disconnected) :

- When the LEDpanel is re-connected, it can require that the mains (230V) is switched off/on for it to work



BEMÆRK!!! " SWITCH&DIM FUNKTION "

MAX: 20 STK. ARMATURE
MAX: 2 STK. TRYK KNAPE

ALLE ARMATURE PÅ SAMME KREDS, SKAL VÆRE Udstyret MED SAMME TYPE/FABRIKAT LED DRIVER.

NOTICE!!! " SWITCH&DIM FUNCTION "

MAX: 20 PCS. LUMINAIRES
MAX: 2 PCS. PUSHBUTTON

ALL CONTROL GEAR MUST BE OF SAME BRAND IN ONE CIRCUIT.

